

INSTRUCTIONS FOR INSTALLATION,
USE AND MAINTENANCE

LUMOS



Manual	4
The fine heat from wood	4
Parts of the Lumos	5
The Lumos as a barbeque	6
The Lumos as an outdoor fire	7
A few tips	8
Maintenance	8

Manual

We congratulate you on the purchase of the Lumos.

This manual will inform you about the use of your stove.

When making a fire make sure the flue is adequately clean and use the right dry fuel. You will then derive the greatest pleasure from your wood stove.

We wish you much warmth and heating pleasure.

The fine heat from wood

You have purchased a wood stove. In many respects, wood used as fuel is an ideal choice. But what exactly is wood? Under the influence of sunlight, a tree builds up wood cells from CO₂ (carbon dioxide), water and minerals. So, in fact, wood is stored solar energy. In its growth process, the tree takes CO₂ from the air and gives off oxygen in return. Also in terms of the environment, wood is an ideal fuel. When it is left to rot, the same amount of CO₂ is released as when it is burned. In environmental terms, we then say that wood is 'CO₂-neutral'.

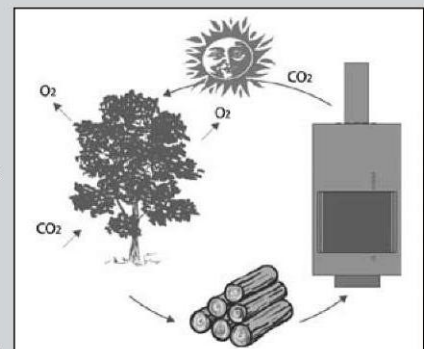
Only dry wood is stove wood

Not all wood qualifies as stove wood. Good burning is obtained by using wood that has been seasoned for at least eighteen months. That is to say: preferably chopped wood that, stored under a shelter and protected from the rain, can slowly let its moisture evaporate. Dry wood does not sizzle in the fire and does not soot the glass.

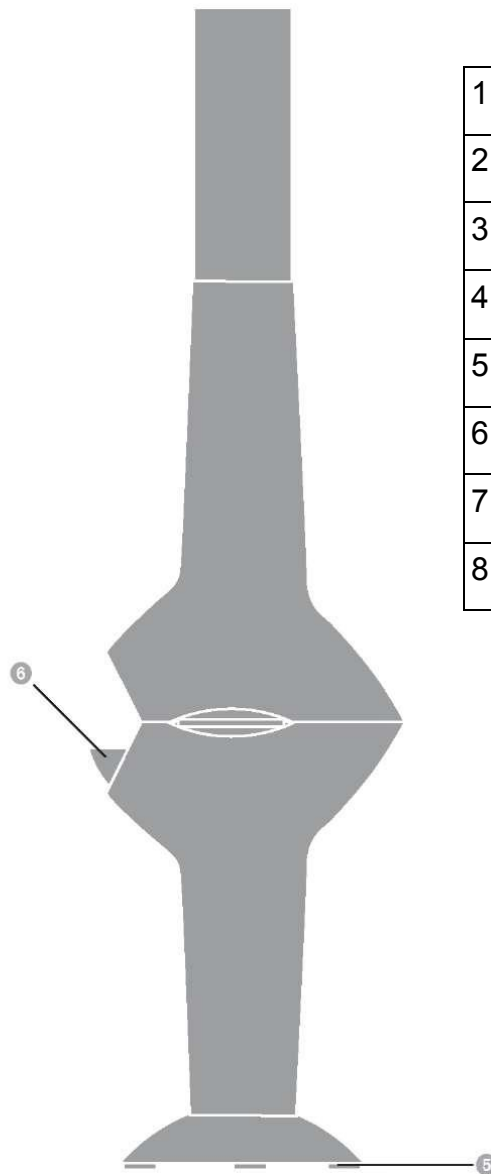
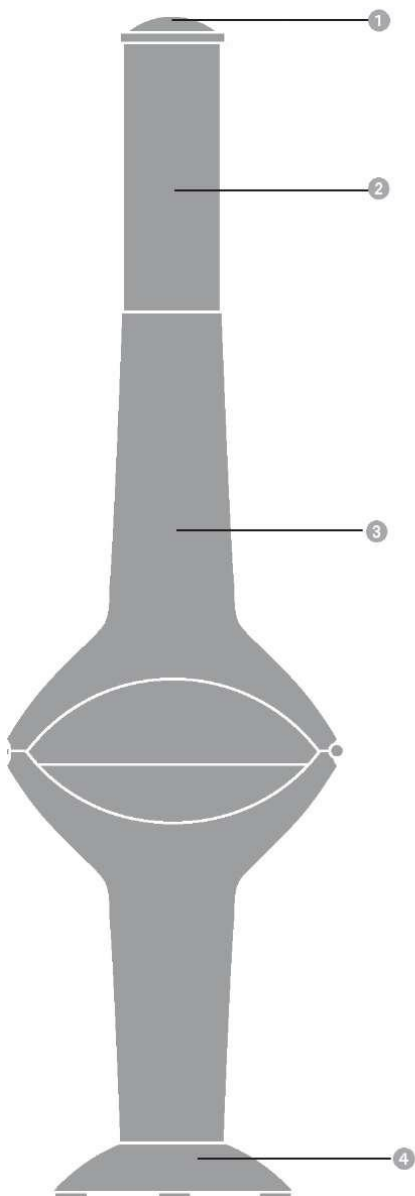
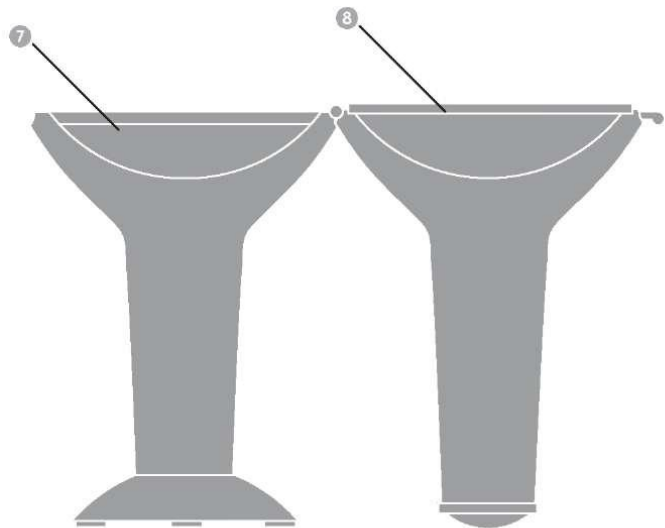
The Woodstocker. Getting firewood good and dry.



Erik Bendien created the wood store that allows wind access from every side. This is logical - wind dries wood. Hence the basic grid, which is free of the ground to avoid damp, the perforated side-panels and the extra space above. The uprights and the grid are in stainless - galvanized - steel. After a while the corten-steel side panels start to oxidise. It's designed that way because the thin layer of rust is both highly decorative, and protects the panels against further corrosion. The basic module, with a single compartment, can handle 1.3 cubic meters of wood. This can be widened by the same dimensions. It looks good as a garden partition or alongside the drive. With the user-friendly instruction you can put together The WoodStocker in no time at all. The highly robust finished item can be manoeuvred when empty. And disassembling The WoodStocker is just as easy, when you move house.



Parts of the Lumos



1	Protective cover
2	Smoke outlet
3	Jacket
4	Base
5	Plastic foot
6	Fire bowl
7	Grill
8	Preparation board

The Lumos used as a barbeque.



Step 1.
Position the Lumos on level,
solid ground.



Step 2.
Remove the smoke outlet
from the stove and put it
away in a safe place so that
it cannot be damaged.



Step 3.
Place the plastic cover on
the Lumos.
Caution: The Lumos should
not be warm because the
plastic cover can then be
deformed.



Step 4.
Carefully tip the upper part
of the stove so that the
cover will come to rest upon
the ground.



Step 5.
Then place the grill and the
preparation board.



Step 6.
The Lumos is now ready to
be used.
Bon appétit.

The Lumos used as an outdoor fireplace.



Step 7.
Remove the grill and the preparation board, and carefully tip up the upper part of the stove to shut it. Ensure there is nothing that could hinder shutting the stove. This could cause permanent damage.



Step 8.
Remove the plastic cover and place the smoke outlet back. The stove is now ready to be lit.



Step 9.
Light the stove with paper, cardboard or firelighters (if you have previously barbecued, you may put some smaller wood on the coals). Stack lightly. When the fire has been burning properly for a while, add some logs that are more solid.



Step 10.
After using the stove, when it has completely cooled down, you can put the cover back on the smoke outlet. This will keep any rain from getting into your stove.
Caution: The plastic cover can deform when the stove is still warm.

A few tips

- Use dry and clean wood. This also holds for the kindling paper and cardboard.
- Make the fire always on a bed of ash. This is an insulating layer for the fire and an excellent bed for the fuel.
- Remove excess ashes using a scoop. Never remove ashes using a vacuum cleaner because fire may still continue to smoulder for days.

Maintenance

1. You can clean the stove using a non-fibrous cloth and lean soapsuds. Slightly damaged spots can be touched up using an abrasive cloth and the special Harrie Leenders stove paint. Ask your supplier for advice.
2. It is advisable to oil the hinges each year before the new heating season. The Lumos will then open smoothly again.
3. Keep the grill and preparation board hygienically clean. Regularly oil the preparation board with salad or olive oil (on both sides). This will prevent it from drying out.



Harrie Leenders Haardkachels
Industrieweg 25, 5688 DP Oirschot, The Netherlands
Tel. +31 (0)499 572710, Fax +31 (0)499 573714
info@leenders.nl



Robeys

U K Distributor.

Robeys Ltd.
Riverside, Goods Road, Belper,
Derbyshire, England. DE56 1UU
Tel: 01773 820940 Fax: 01773 820477
E Mail: info@robeys.co.uk
www.robeys.co.uk


Harrie Leenders

www.leenders.nl

June 2011